

Airplane Geeks Podcast

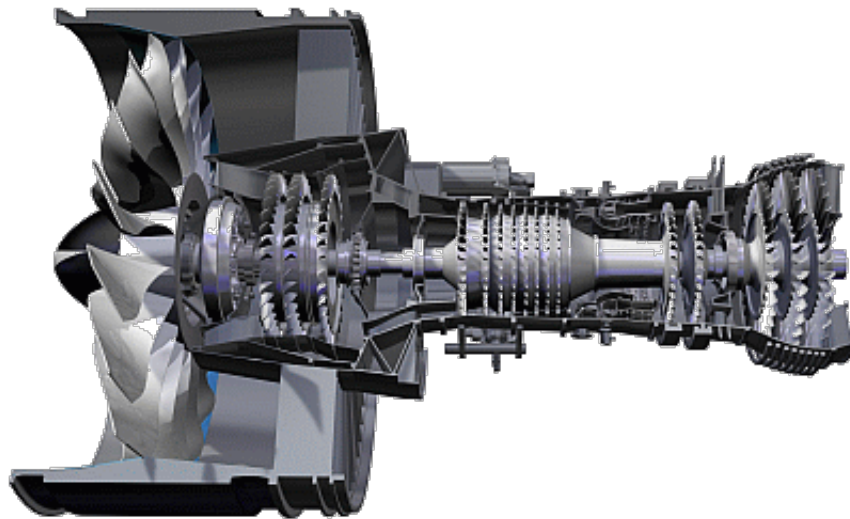
The weekly audio podcast that explores and expands your passion for aviation.

Episode 182 – Alan Epstein and the Geared Turbofan Engine



Podcast: [Play in new window](#) | [Download \(44.0MB\)](#)

Subscribe: [Apple Podcasts](#) | [Android](#) | [Email](#) | [Google Podcasts](#) | [TuneIn](#)



Guest Alan Epstein is [Pratt & Whitney's](#) Vice President of Technology & Environment. We talk about the [Pure-Power](#) family of geared turbofan (GTF) jet engines: how long the technology has been around, what the GTF is trying to achieve, propulsive and thermal efficiency, biofuel, technology push versus pull, and more. Alan even has his own “grill the geeks” question!

The week's aviation news:

- [WestJet departs from past with regional plan](#)

- [WestJet Sees C\\$2 Billion Regional-Flight Market for Canada, U.S.](#)
- [Southwest Airlines' new cabin design adds six extra seats](#)

David's Aircraft of the Week is the Sikorsky S-61L.

In this week's Australia Desk report: More A380 cracking issues for Qantas to keep an eye on, Australian Army grounds Blackhawk fleet as a precautionary measure, China Southern establishes the "Canton Route" – Sydney to London, Air Asia X announces extra services to Sydney, Virgin Australia add A330s to the Melbourne – Sydney route.

Find more from Grant and Steve at the [Plane Crazy Down Under](#) podcast, and follow the show on Twitter at [@pcdu](#). Steve's at [@stevevisscher](#) and Grant at [@falcon124](#).

This week on [Across the Pond](#), Pieter talks to Paul Fowler from [Enstone Flying Club](#), about the Club and the airfield. Set in Oxfordshire, a stunningly beautiful part of the UK, Paul tells us about the history of the airfield and its residents and what its like to fly in this part of the world. Enstone Airfield has some great residents and has a fabulous community relationship, many others could learn from.

You can find Enstone on [Facebook](#) and [YouTube](#) and you can find Paul Fowler on [Twitter](#) and [LinkedIn](#). Pieter can be found on Twitter as [@Nascothornet](#) or [XTP Media's Facebook Page](#).

Mentioned in the episode:

- Chris Manno's new [JetHead Live Podcast](#), which you can find on [iTunes](#).
- Screenprints of airport runway patterns from [NOMO Design](#)

Follow the [@AirplaneGeeks](#) on [Twitter](#) and on [Facebook](#), send us email at thegeeks@airplanegeeks.com, or leave a message on our listener line: (361) GEEKS01.

Opening and closing music is provided by Brother Love from the Album Of The Year CD. You can find his great music at <http://www.brotherloverocks.com/>.

This entry was posted in Episodes and tagged Geared Turbofan, open rotor, Pratt & Whitney, PurePower, seat pitch, Southwest, turboprop, WestJet on January 24, 2012 [<http://www.airplanegeeks.com/2012/01/24/episode-182-alan-epstein-and-the-geared-turbofan-engine/>].

2 thoughts on “Episode 182 – Alan Epstein and the Geared Turbofan Engine”



R.M. "Mac" Coble

February 26, 2012 at 6:16 pm

Thanks for having Alan on the show. I learn more in 30 minutes than I had in 60 years previously about jet engines, efficiencies, etc. Fantastic episode ! I have enjoyed this podcast as it has evolved to literally a World Class Aviation program. Alan's presences is just another feather in your caps. Thanks for the effort and time and persistence to prepare and present the podcast.



Max Flight

February 28, 2012 at 4:00 am

Mac: Thanks so much for the feedback! We do this show because we love aviation and we get to meet fantastic people – guests and listeners both!

Comments are closed.